

Instruction Manual

Checktemp® 1

**Pocket Thermometers
with Stainless Steel Probe,
±0.3°C Accuracy and
Calibration-Check®**

GENERAL DESCRIPTION

Checktemp® 1 is a high accuracy thermometer with a 1 m (3.3') cable between the meter and the probe.

The probe utilizes a hightech NTC thermistor sensor to measure the temperature. Thermistors make it possible to obtain extremely high accuracy in a very short period of time.

Thanks to its sharp tip, the probe can easily penetrate semisolid products such as fruits, vegetables and cheese, making routine controls simple and quick for both incoming and outgoing goods.

Moreover, the AISI 316 stainless steel material of the probe is in compliance with food regulations.

The Calibration-Check® function ensures always accurate measurements: simply activate the "test" switch and the internal calibration test device will simulate a 0.0°C (32.0°F) signal that has to be read on the LCD within a range of ±0.3°C (±0.5°F). This assures the user that the reading is reliable and accurate, every time.

PRELIMINARY EXAMINATION

Remove the instrument from the packing material and examine it carefully to make sure that no damage has occurred during shipment. If there is any damage, immediately notify your Dealer.

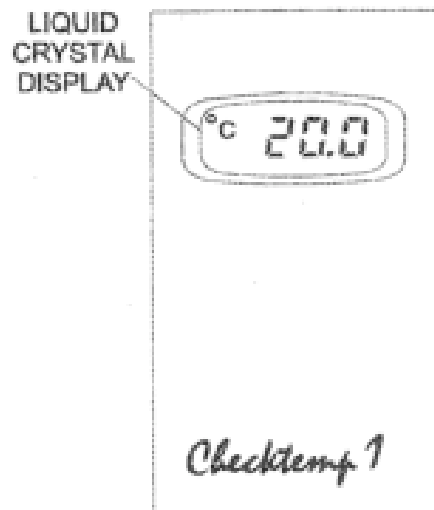
Each meter is supplied complete with battery and instructions.

Note: Conserve all packing material until the instrument has been observed to function correctly. Any defective item must be returned in its original packing.

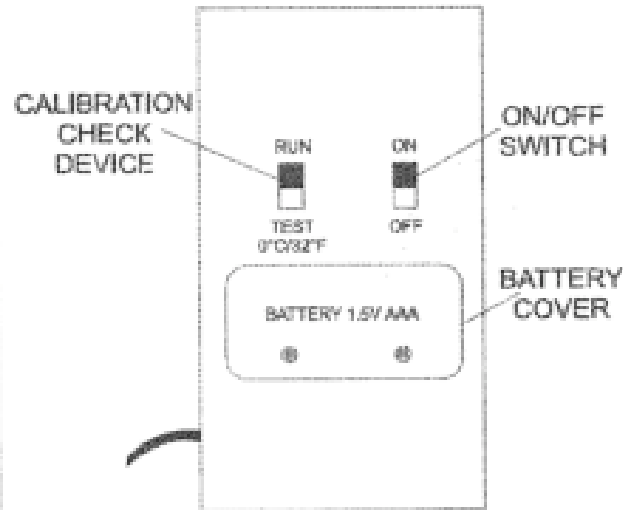
SPECIFICATIONS

Range	-50.0 to 150.0°C / -58.0 to 302.0°F
Resolution	0.1°C / 0.1°F
Accuracy	±0.3°C (-20 to 90°C) / ±0.5°C (outside) ±0.5°F (-4 to 194.2°F) / ±1°F (outside)
Probe	Stainless steel, 1 m (3.3') cable
Environment	0 to 50°C (32 to 122°F); RH max 95%
Battery Type	1x1.5V AAA alkaline
Battery Life	Approx. 3 years of use
Dimensions	106 x 58 x 19 mm (4.1x5.2x0.7")
Weight	80 g (2.8 oz.)

FRONT



REAR

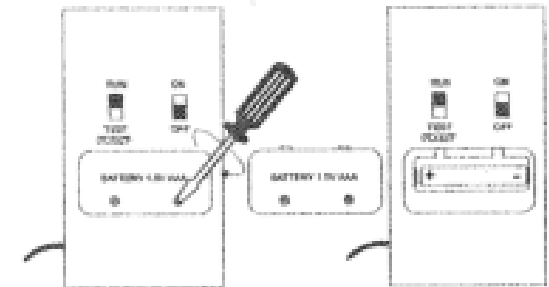


BATTERY REPLACEMENT

When the Checktemp® 1 cannot be switched on or the display fades, remove the two screws, remove the battery cover and change the 1.5V AAA battery, while paying attention to its polarity.

Replace the cover and tighten the two screws.

Battery should only be replaced in a safe area using an alkaline 1.5V AAA battery.



OPERATION

- Turn the *Checktemp*® 1 on and dip the probe in the sample. An immersion level of 4 cm is recommended.
- Do NOT immerse the probe handle.
- Do NOT wrench the probe or put heavy objects on the cable. If the cable is damaged, the meter needs to be replaced.
- Wait a few seconds for the display to stabilize
- After use, always switch the meter off.
- Variations in readings or fading display can indicate a low battery level (see "Battery Replacement section" for details).



CALIBRATION CHECK SWITCH

Move the Cal-check® on the rear of the meter to the "Test" position.

The display should show 0.0°C ($\pm 0.3^{\circ}\text{C}$) or 32°F ($\pm 0.5^{\circ}\text{F}$).

Contact your dealer or the nearest Hanna Service Center for recalibration, if necessary.

Move the Cal-check® switch back to the "Run" position, and the display will return to normal measurement mode.

Recommendations for Users

Before using this product, make sure that it is entirely suitable for the environment in which it is used. Operation of this instrument in residential areas could cause interference to radio and TV equipment. Any variation introduced by the user to the supplied equipment may degrade the instrument's EMC performance. To avoid electrical shocks, do not use this instrument when voltage at the measurement surface exceeds 24 Vac or 80 Vdc. To avoid damage or burns, do not perform any measurement in microwave ovens.

WARRANTY

These meters are guaranteed for one year against defects in workmanship and materials when used for its intended purpose and maintained according to instructions. Probes are guaranteed for a period of six months. This warranty is limited to repair or replacement free of charge. Damages due to accident, misuse, tampering or lack of prescribed maintenance are not covered. If service is required, contact the dealer from whom you purchased the instrument. If under warranty, report the model number, date of purchase, serial number and the nature of the failure. If the repair is not covered by the warranty, you will be notified of the charges incurred. If the instrument is to be returned to Hanna Instruments, first obtain a Returned Goods Authorization Number from the Customer Service department and then send it with shipment costs prepaid. When shipping any instrument, make sure it is properly packaged for complete protection.