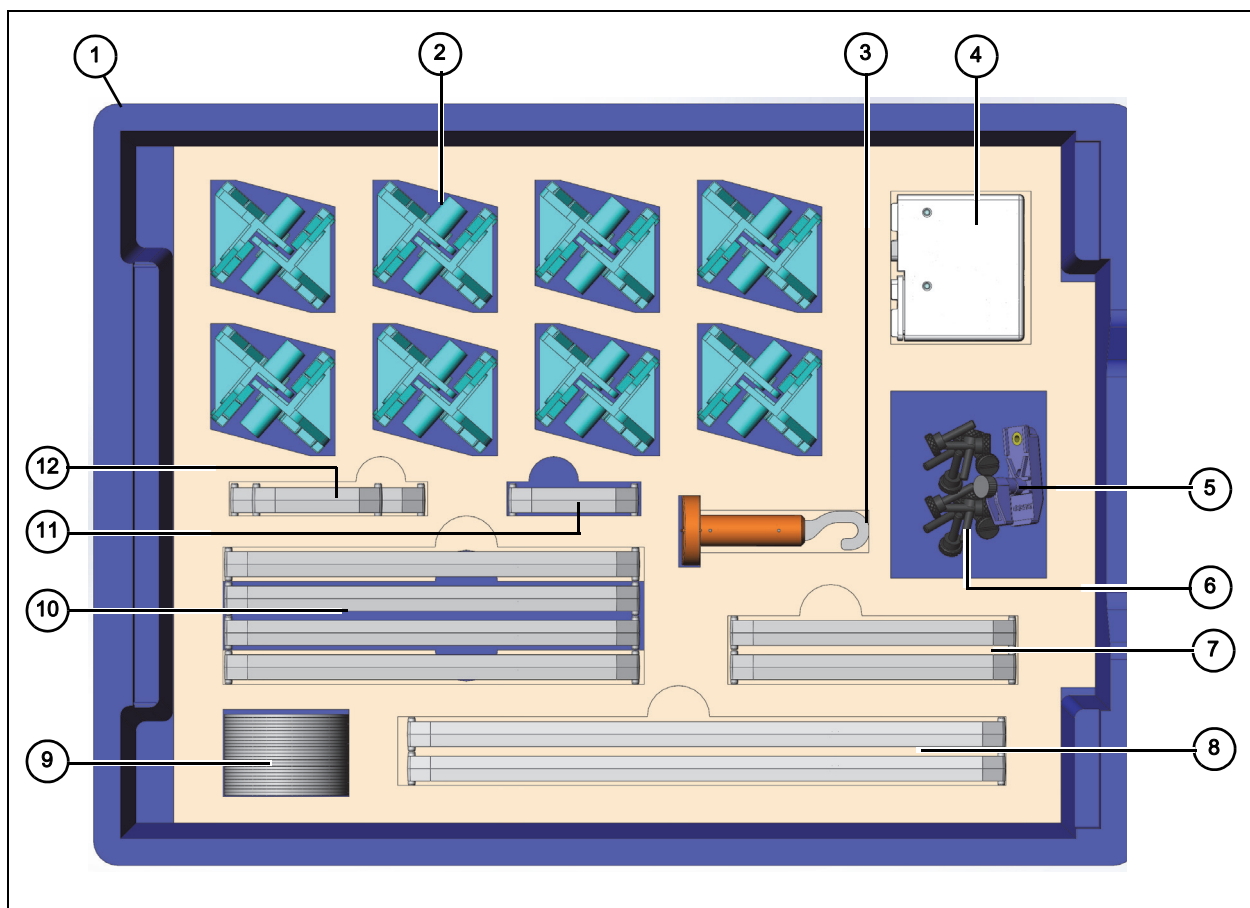


# Building Better Bridges Set

Part of ME-3581 Building Better Bridges Kit

## Introduction

The PASCO Building Better Bridges Set is part of the ME-3581 Building Better Bridges Kit. In addition to the items in this product, the ME-3581 also includes the PS-3216 Wireless Load Cell and Accelerometer. There are storage compartments for the components in the Building Better Bridges Set. Here is the arrangement of the components.



### Included Items (Quantity)

Item	ID	Item	ID	Item	ID
Tray and Foam Layer	1	Sliding Connector (1)	5	Washers (25)	9
Truss Connector (16)	2	Truss Screws (bag of 80)	6	#4 Flexible Member (18)	10
Mass Hanger, EP3 (1)	3	#3 Flexible Member (10)	7	#1 Flexible Member (6)	11
Wireless Load Cell (PS-3216)	4	#5 Flexible Member (8)	8	#2 Flexible Member (2)	12

### Included Item Not Shown

The included Micro USB Cable for use with the Wireless Load Cell is not shown.

### Recommended Items

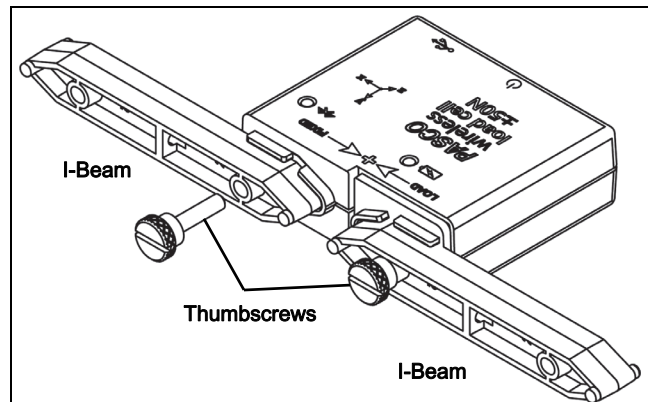
Item	Number	Item	Number
Advanced Structures Set	ME-6992B	Structures Hydraulic Systemr	ME-6984
Large Structures Set	ME-7003	Human Structures Set	ME-7001

### Connecting Structure Members

Use thumbscrews to mount I-Beams from the Set to the Wireless Load Cell

### Experiments and Accessories

See the page at the PASCO Web site: [www.pasco.com/bridges](http://www.pasco.com/bridges) for information about experiments and accessories designed for the Building Better Bridges Set.



### More Information

See the PASCO Web site at [www.pasco.com/manuals](http://www.pasco.com/manuals). The Structures Sets listed above have detailed, multi-page reference guides that can be downloaded from the PASCO Web site. Enter the model number or name of the product and select **Submit**. On the Web page, select **Resources**. (Contact Technical Support for a printed copy of the document.)

## Technical Support

Contact Technical Support for information about possible replacement parts.

For assistance with any PASCO product, contact PASCO at:

Address:	PASCO scientific 10101 Foothills Blvd. Roseville, CA 95747-7100	Web:	<a href="http://www.pasco.com">www.pasco.com</a>
Phone:	916-462-8384 (worldwide) 800-772-8700 (U.S.)	Email:	<a href="mailto:support@pasco.com">support@pasco.com</a>

**Limited Warranty** For a description of the product warranty, see the PASCO Web site.

**Copyright** This PASCO scientific *Instruction Sheet* is copyrighted with all rights reserved. Permission is granted to non-profit educational institutions for reproduction of any part of this manual, providing the reproductions are used only in their laboratories and classrooms, and are not sold for profit. Reproduction under any other circumstances, without the written consent of PASCO scientific, is prohibited. Revised 8/18.

**Trademarks** PASCO and PASCO scientific are trademarks or registered trademarks of PASCO scientific, in the United States and/or in other countries. All other brands, products, or service names are or may be trademarks or service marks of, and are used to identify, products or services of, their respective owners. For more information visit [www.pasco.com/legal](http://www.pasco.com/legal).